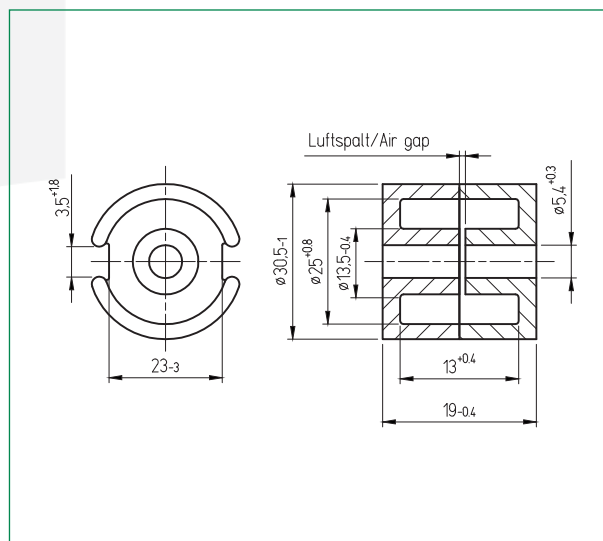


Schalenkern SK 30 x 19
Pot core SK 30 x 19

Magn. Formkenngrößen/Satz
eff. magn. parameters/set

Formfaktor <i>core factor</i>	$C_1 =$	0,32 mm ⁻¹
Eff. magn. Weglänge <i>eff. magn. path length</i>	$l_e =$	44,9 mm
Eff. magn. Querschnitt <i>eff. magn. cross section</i>	$A_e =$	139 mm ²
Eff. magn. Volumen <i>eff. magn. volume</i>	$V_e =$	6220 mm ³
Gewicht <i>weight</i>	$G \approx$	36 g



Werkstoff <i>material</i>	A_L -Wert A_L value nH	Toleranz <i>tolerance</i>	Luftspalt <i>airgap</i> mm	μ_e	Bestellnummer <i>order number</i>
K 2005	6400	± 25%	-	≈ 1580	326 300000 025
K 2006	5900	± 25%	-	≈ 1550	326 300000 026
K 4000	9750	± 25%	-	≈ 2560	326 300000 004
K 6000	13700	± 30%	-	≈ 3500	326 300000 006
K 2005	1000	± 5%	≈ 0,12	≈ 260	326 301000 025
K 2005	630	± 3%	≈ 0,22	≈ 165	326 300630 025
K 2005	250	± 3%	≈ 0,70	≈ 65	326 300250 025

All information given without liability. If you require further information about our products, do not hesitate to contact our representatives, or visit our homepage, www.kaschke.de.

Kaschke Components GmbH

Rudolf-Winkel-Straße 6 · 37079 Göttingen · Germany
 Fon +49 (0) 551-5058-6 · Fax +49 (0) 551-65756
kaschke.de