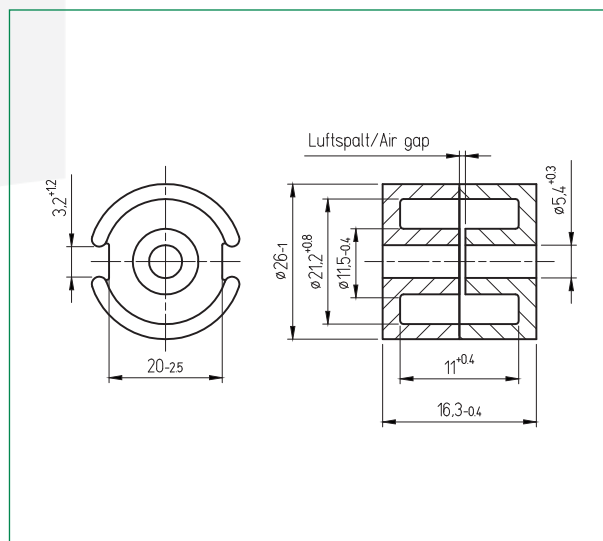


Schalenkern SK 26 x 16
Pot core SK 26 x 16

Magn. Formkenngrößen/Satz
eff. magn. parameters/set

Formfaktor <i>core factor</i>	$C_1 =$	0,39 mm ⁻¹
Eff. magn. Weglänge <i>eff. magn. path length</i>	$l_e =$	37,3 mm
Eff. magn. Querschnitt <i>eff. magn. cross section</i>	$A_e =$	95,9 mm ²
Eff. magn. Volumen <i>eff. magn. volume</i>	$V_e =$	3580 mm ³
Gewicht <i>weight</i>	$G \approx$	23 g



Werkstoff <i>material</i>	A_L -Wert A_L value nH	Toleranz <i>tolerance</i>	Luftspalt <i>airgap</i> mm	μ_e	Bestellnummer <i>order number</i>
K 2005	5000	± 25%	-	≈ 1600	326 260000 025
K 2006	4900	± 25%	-	≈ 1550	326 260000 026
K 4000	8100	± 25%	-	≈ 2580	326 260000 004
K 6000	11600	± 30%	-	≈ 3700	326 260000 006
K 2005	800	± 5%	≈ 0,10	≈ 250	326 260800 025
K 2005	630	± 5%	≈ 0,13	≈ 200	326 260630 025
K 2005	400	± 3%	≈ 0,24	≈ 125	326 260400 025

All information given without liability. If you require further information about our products, do not hesitate to contact our representatives, or visit our homepage, www.kaschke.de.

Kaschke Components GmbH

Rudolf-Winkel-Straße 6 · 37079 Göttingen · Germany
 Fon +49 (0) 551-5058-6 · Fax +49 (0) 551-65756
 kaschke.de