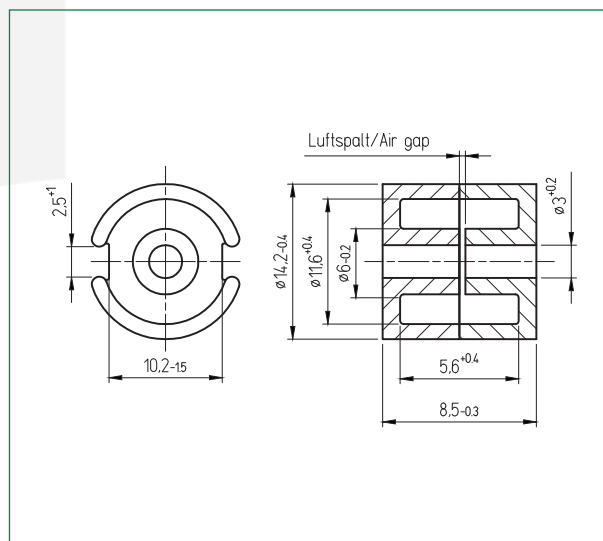


Schalenkern SK 14 x 8  
*Pot core SK 14 x 8*

Magn. Formkenngrößen/Satz  
*eff. magn. parameters/set*

Formfaktor <i>core factor</i>	$C_1 =$	0,76 mm <sup>-1</sup>
Eff. magn. Weglänge <i>eff. magn. path length</i>	$l_e =$	19,4 mm
Eff. magn. Querschnitt <i>eff. magn. cross section</i>	$A_e =$	25,7 mm <sup>2</sup>
Eff. magn. Volumen <i>eff. magn. volume</i>	$V_e =$	499 mm <sup>3</sup>
Gewicht <i>weight</i>	$G \approx$	4 g



Werkstoff <i>material</i>	$A_L$ -Wert $A_L$ value nH	Toleranz <i>tolerance</i>	Luftspalt <i>airgap</i> mm	$\mu_e$	Bestellnummer <i>order number</i>
K 2005	2250	± 25%	-	≈ 1430	326 140000 025
K 2006	2200	± 25%	-	≈ 1400	326 140000 026
K 4000	3600	± 25%	-	≈ 2300	326 140000 004
K 6000	5300	± 30%	-	≈ 3380	326 140000 006
K 2005	315	± 7%	≈ 0,07	≈ 200	326 140315 025
K 2005	250	± 5%	≈ 0,10	≈ 160	326 140250 025
K 2005	160	± 5%	≈ 0,17	≈ 100	326 140160 025

*All information given without liability. If you require further information about our products, do not hesitate to contact our representatives, or visit our homepage, [www.kaschke.de](http://www.kaschke.de).*

**Kaschke Components GmbH**

Rudolf-Winkel-Straße 6 · 37079 Göttingen · Germany  
 Fon +49 (0) 551-5058-6 · Fax +49 (0) 551-65756  
[kaschke.de](http://kaschke.de)