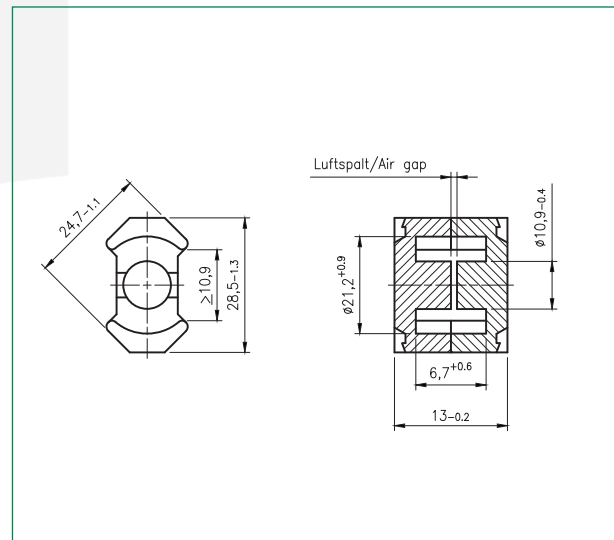


RM-Kern RM 10 - low profile  
*RM core RM 10 - low profile*

Magn. Formkenngrößen/Satz  
*eff. magn. parameters/set*

Formfaktor <i>core factor</i>	$C_1 =$	0,34 mm <sup>-1</sup>
Eff. magn. Weglänge <i>eff. magn. path length</i>	$l_e =$	33,9 mm
Eff. magn. Querschnitt <i>eff. magn. cross section</i>	$A_e =$	99,1 mm <sup>2</sup>
Min. magn. Querschnitt <i>min. magn. cross section</i>	$A_{min} =$	89,5 mm <sup>2</sup>
Eff. magn. Volumen <i>eff. magn. volume</i>	$V_e =$	3360 mm <sup>3</sup>
Gewicht <i>weight</i>	$G \approx$	17 g



Werkstoff <i>material</i>	$A_L$ -Wert $A_L$ value nH	Toleranz <i>tolerance</i>	Luftspalt <i>airgap</i> mm	$\mu_e$	Bestellnummer <i>order number</i>
K 2001	4250	± 25%	-	≈ 1150	373 100000 221
K 2006	6150	± 25%	-	≈ 1670	373 100000 026
K 2008	6650	± 25%	-	≈ 1800	373 100000 028

Bei Anwendung in Leistungsübertragern  
*for application in power transformers*

Werkstoff <i>material</i>	Messbedingungen <i>test conditions</i>	Verluste/Satz <i>losses/set</i>
K 2001	500kHz, 50mT, 100°C	≤ 0,55 W
K 2006	25kHz, 200mT, 100°C	≤ 0,38 W
K 2008	100kHz, 200mT, 100°C	≤ 1,6 W

*All information given without liability. If you require further information about our products, do not hesitate to contact our representatives, or visit our homepage, [www.kaschke.de](http://www.kaschke.de).*

**Kaschke Components GmbH**

Rudolf-Winkel-Straße 6 · 37079 Göttingen · Germany  
 Fon +49 (0) 5 51-50 58-6 · Fax +49 (0) 5 51-65 75 6  
[kaschke.de](http://kaschke.de)