

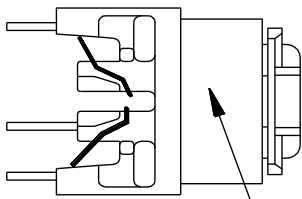
Technical Data Sheet

Customer :

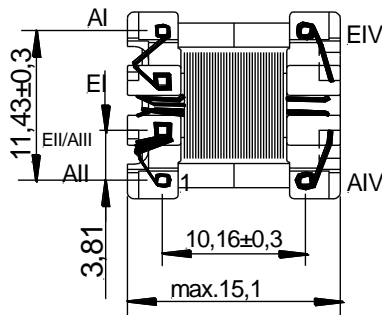
Part designation :
SP-E 13/6

Customer part number :
SLNK56x-12-3

d:/bv/zm1864.dwg

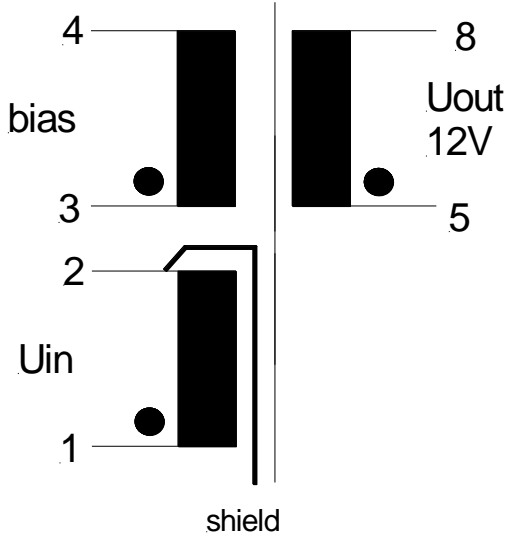
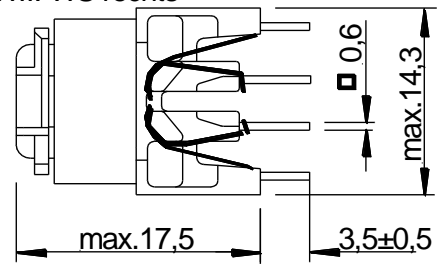


a.)



WS links

WII: WS rechts



Core / material / AL-value	E 13/6 / K2006 or equiv. / 0,1mm
Nominal inductance	LII = 3,8 mH±10%
Ratio of transformation	32:132:16
Dielectric strength (50Hz/1s)	WI/WII - WIV = 3,75kVeff
Maximum transmission power	3W
Working frequency	132kHz
Operating temperature	-25 - +120
Storage temperature	-25 - +85

a.) marking

Measuring device of L: WK 3260A			Measuring conditions of L: 50mV/10kHz/25°C			
Measurement	Unit	No. 1	No. 2	No. 3	No. 4	No. 5

Kaschke Components GmbH Göttingen	Person responsible :	Date:	Design regulation no.:
	Häpe	17.11.2016	096971-000

Please give us your written release and certified herewith the confirmation of the validation in the application !!!

Date	Signature
------	-----------