

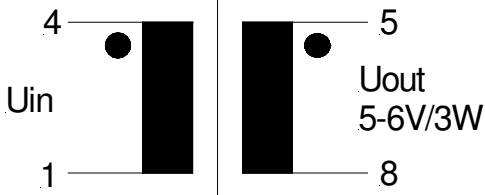
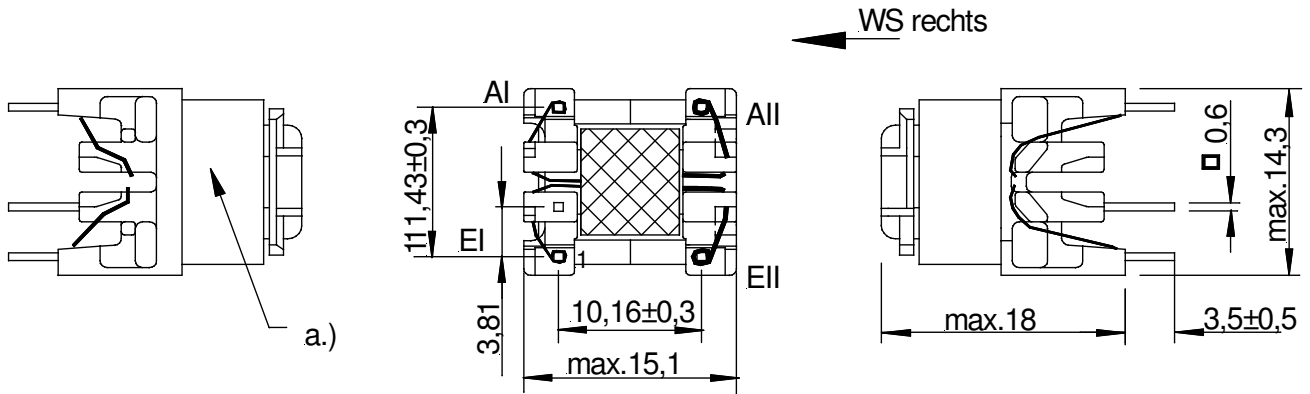
Technical Data Sheet

Customer :
Kaschke Components GmbH

Part designation :
SP-E 13/6

Customer part number :
STNY264-6-3

di:/bv/zn1864.dwg



Core / material / AL-value	E13/6 / K2006 or equiv. / 160nH±5%
Nominal inductance	LI=1,4mH±15%
Ratio of transformation	96 : 4
Dielectric strength (50Hz/1s)	WI - WII: 3,75kVeff
Maximum transmission power	3W
Working frequency	132kHz
Operating temperature	-25°C - +125°C
Storage temperature	-25°C - +85°C

a.) Aufdruck: Kaschke
096930 KW/Jahr

Measuring device of L:		Measuring conditions of L:				
Measurement	Unit	No. 1	No. 2	No. 3	No. 4	No. 5

Kaschke Components GmbH Göttingen	Person responsible : Häpe	Date: 08.03.2010	Design regulation no.: 096930-000
--	-------------------------------------	----------------------------	---

Please give us your written release and certified herewith the confirmation of the validation in the application !!!

Date	Signature
------	-----------