

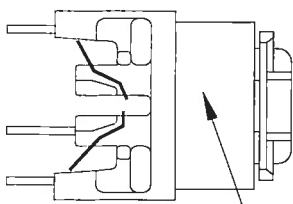
Technical Data Sheet

 Customer:
Kaschke Göttingen

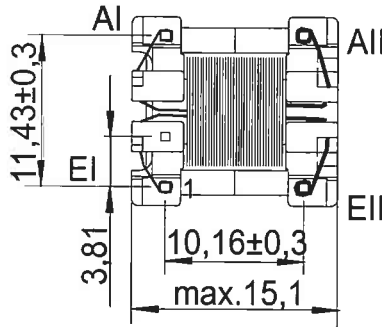
 Part designation:
SP-E 13/6

 Customer part no.:
SNK500-4-3

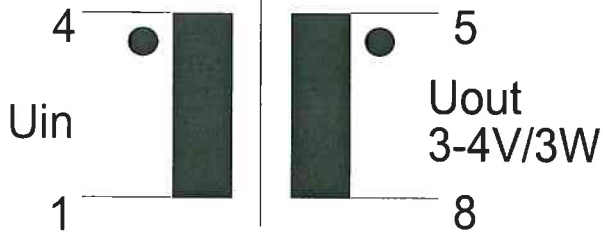
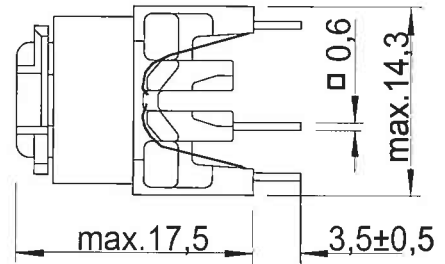
d:/bv/zn1864.dwg



a.)



← WS rechts



Core / material / air gap / AL	E13/6 K2006 or equiv.	
Nominal inductance	LI= 2,80 mH ±10%	
maximum transmissible power	3W	
Working frequency	44kHz	
Transformation ratio	132:12	
dielectric strength (50Hz/2s)	WI-WII: 3,75KV	
Nominal Current		
Design in comp. with standard	S08	
Working / storage temperature	-25°C- 115°C	-25°C- 85°C
Miscellaneous	F (DIN 40040)	
switcher	Link 500/501-uni	

 Remarks : **a.) marking**

 Measuring device of L: **W&K 3245**

 Measuring conditions of L: **50 mV/10 KHz**

Measured quantity	Unit	No. 1	No. 2	No. 3	No. 4	No. 5

Responsible person: Uwe Dickhut	Date: 05.07.2005	Design regulation no.: 096.901	Index: 00
---	----------------------------	--	---------------------

PLEASE GIVE US YOUR WRITTEN RELEASE

Date Signature