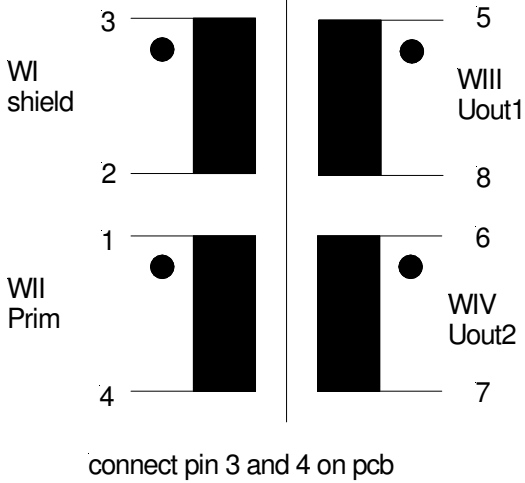
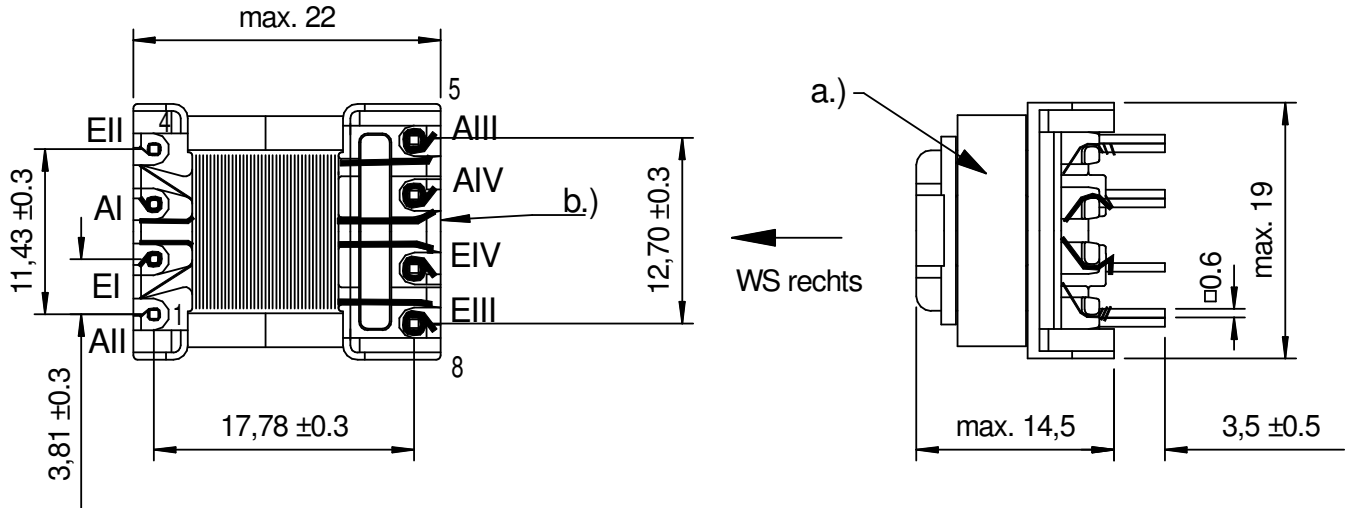


Technical Data Sheet

Customer :
Kaschke Components GmbH

Part designation :
SP-E 16/5

Customer part number :
SKNY276-6-8



Core / material / air gap	E16/5 / K2006 or equiv. / 0,2mm
Nominal inductance	LII = 1,58mH±12%
Ratio of transformation	24:111:6:6
Dielectric strength (50Hz/1s)	WI/WII - WIII/WIV = 3,75kVeff
Maximum transmission power	8W (TNY276)
Working frequency	132kHz
Design according to standard	EN 61558
Operating temperature	-25°C - +125°C
Storage temperature	-25°C - +85°C

a.) / b.) marking
 Uout1 = Uout2 = 5-7V
 Uout1 + Uout2 = 10-14V

Measuring device of L: WK 3260A			Measuring conditions of L: 50mV/10kHz/25°C			
Measurement	Unit	No. 1	No. 2	No. 3	No. 4	No. 5

Kaschke Components GmbH Göttingen	Person responsible : Häpe	Date: 25.09.2012	Design regulation no.: 093830-002
--	-------------------------------------	----------------------------	---

Please give us your written release and certified herewith the confirmation of the validation in the application !!!

Date	Signature
------	-----------