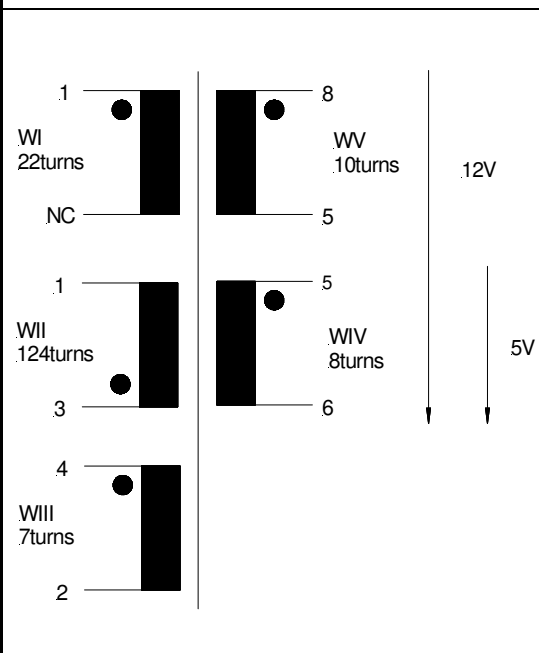
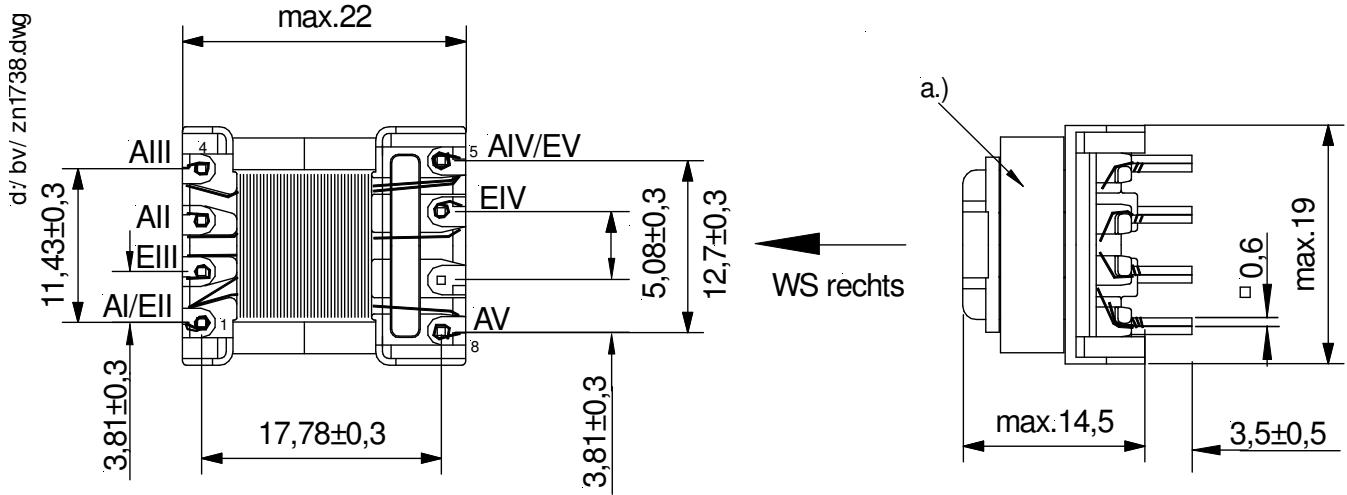


Technical Data Sheet

Customer :
Kaschke Components GmbH

Part designation :
SP-E 16/5

Customer part number :
LNKII CV DemoBoard



| | |
|-------------------------------|----------------------------------|
| Core / material / air gap | E16/5 / K2006 or equiv. / 0,12 |
| Nominal inductance | LII = 2,8mH±10% |
| Ratio of transformation | 124:7:8:10 |
| Dielectric strength (50Hz/1s) | WI/WII/WIII - WIV/WV = 3,75kVeff |
| Maximum transmission power | 4W |
| Working frequency | 100kHz |
| Schaltregler | LNK623PG (siehe DER-213) |
| Operating temperature | -25 - +125 |
| Storage temperature | -25 - +85 |

a.) Aufdruck

| Measuring device of L: WK 3260A | | | Measuring conditions of L: 50mV/10kHz/25°C | | | | |
|---------------------------------|------|-------|--|-------|-------|-------|--|
| Measurement | Unit | No. 1 | No. 2 | No. 3 | No. 4 | No. 5 | |
| | | | | | | | |
| | | | | | | | |
| | | | | | | | |
| | | | | | | | |
| | | | | | | | |
| | | | | | | | |
| | | | | | | | |
| | | | | | | | |
| | | | | | | | |

| | | | |
|---|-------------------------------------|----------------------------|---|
| Kaschke Components GmbH Göttingen | Person responsible : Häpe | Date: 17.04.2012 | Design regulation no.: 093758-000 |
|---|-------------------------------------|----------------------------|---|

Please give us your written release and certified herewith the confirmation of the validation in the application !!!

| | |
|------|-----------|
| Date | Signature |
|------|-----------|