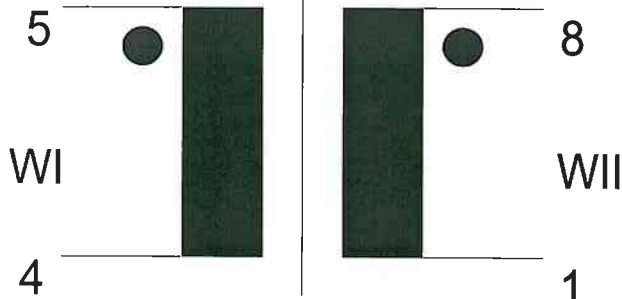
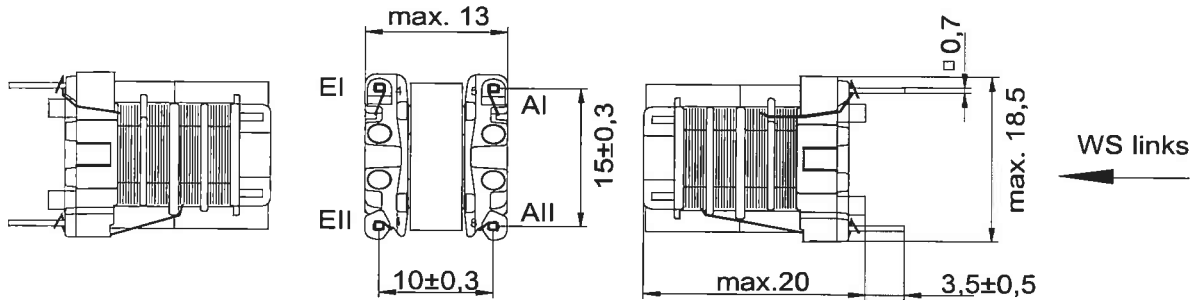


# Technical Data Sheet

Customer:  
**Kaschke Göttingen**

Part designation:  
**SP-E 16/5**

Customer part no.:  
**CM-0,35 -47mH**



Core / material / air gap / AL	<b>E16/5 / K6000 or equiv.</b>	
Nominal inductance	<b>L = 2x47mH ± 30%</b>	
maximum transmissible power		
Working frequency		
Transformation ratio	<b>1 : 1</b>	
dielectric strength (50Hz/2s)	<b>prim-sec:1,5KVeFF</b>	
Nominal Current	<b>0,35A</b>	
Design in comp. with standard	<b>S06</b>	
Working / storage temperature	<b>-25°C- +125°C</b>	<b>-25°C- +85°C</b>
Miscellaneous	<b>F (DIN 40040)</b>	
Widerstand (je Wicklung)	<b>4,2 Ohm ±10%</b>	

Remarks : **a.)Aufdruck  
Drahtstärke muß angepaßt werden, um RDC einzuhalten**

Measuring device of L: **W&K 3260A**

Measuring conditions of L: **50mV/10kHz/21,5°C**

Measured quantity	Unit	No. 1	No. 2	No. 3	No. 4	No. 5

Responsible person:

**Uwe Dickhut**

Date:

..

Design regulation no:

**093.657**

Index:

**a**

**PLEASE GIVE US YOUR WRITTEN RELEASE**

Date

Signature