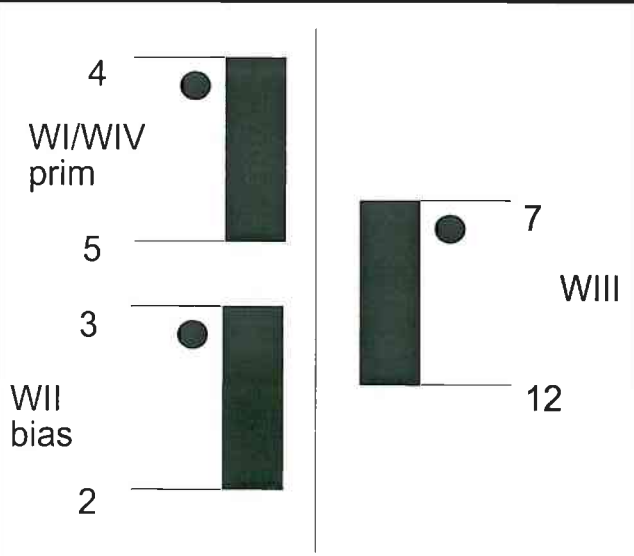
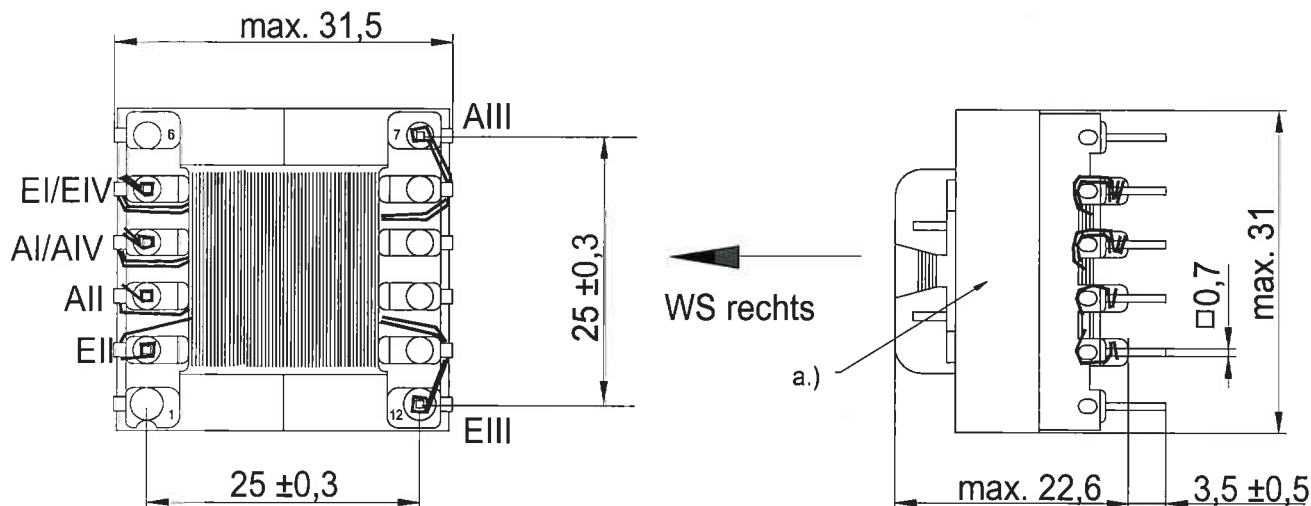


Technical Data Sheet

 Customer:
Kaschke Göttingen

 Part designation:
SP-E 30/7

 Customer part no.:
SKOP244-24-48


Core / material / air gap / AL	E30/7 / K2006 or equiv.	
Nominal inductance	LI= 320µH ±10%	
maximum transmissible power	50W(TOP246)	
Working frequency	132kHz	
Transformation ratio	46:5:9:46	
dielectric strength (50Hz/2s)	3,75 kV (WI/WII/WIV - WIII)	
Nominal Current		
Design in comp. with standard	.	
Working / storage temperature	-25°C- +120°C	-25°C- +85°C
Miscellaneous	F (DIN 40040)	
leakage inductance	max. 8µH	

 Remarks : **a.) marking parallel split primary**

 Measuring device of L: **W&K 3260A**

 Measuring conditions of L: **50mV/10kHz/25°C**

Measured quantity	Unit	No. 1	No. 2	No. 3	No. 4	No. 5

Responsible person:

Uwe Dickhut

Date:

16.05.2007

Design regulation no:

066.930

Index:

00
PLEASE GIVE US YOUR WRITTEN RELEASE

Date

Signature