

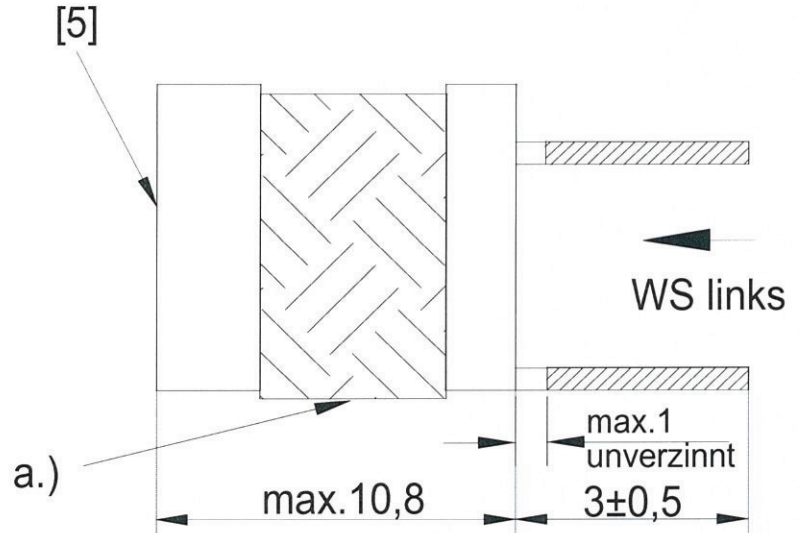
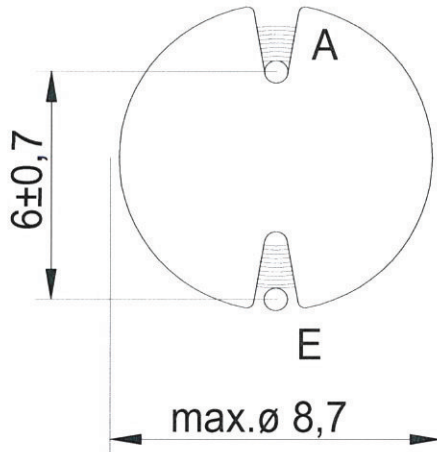
# Technical Data Sheet

Customer:  
**Kaschke Göttingen**

Part designation:  
**DR-GR 8/10**

Customer part no.:

d:/bv/gr8.dwg



Core / material / air gap / AL	<b>GR 8/3,5/10L or equiv.</b>	
Nominal inductance	<b>L= 10µH ±10%</b>	
maximum transmissible power		
Working frequency		
Transformation ratio		
dielectric strength (50Hz/2s)		
Nominal Current	<b>max. 5,65A</b>	
Design in comp. with standard	<b>S07</b>	
Working / storage temperature	<b>-25°C- +125°C</b>	<b>-25°C- +85°C</b>
Miscellaneous		
Resistance (Rdc)	<b>max. 17,5 mOhm</b>	

Remarks :

Measuring device of L: **WK 3260A**

Measuring conditions of L: **10kHz/50mV/25°C**

Measured quantity	Unit	No. 1	No. 2	No. 3	No. 4	No. 5

Responsible person:

**Martina Kirchner**

Date:

**07.06.2007**

Design regulation no:

**036.601**

Index:

**00**

**PLEASE GIVE US YOUR WRITTEN RELEASE**

Date

Signature